

# CRANK.



TEAK OUTDOOR FURNITURE  
VOL. III

# Index

P A G E

C O L L E C T I O N

**03**

**ARPA**

**19**

**LENA**

**34**

**JASMINE**

**49**

**DUNA**

Arpa is a collection where sophistication, elegance and lightness become the main axes of the design. Its details in aluminum, solid teak wood and ropes make it a unique and timeless design.

┌  
└  
40°59'58.3"N  
17°12'41.6"E  
└  
┌

**A R P A**

COLLECTION

# La Mamba Studio

DESIGNERS



La Mamba Studio

## ABOUT

**In La Mamba we breathe design. We understand design from a harmonized and global perspective. Hand in hand with our client, we define the aesthetics, the functionality and the communication of each product, from a humanist and logical point of view that opens new horizons. We are specialized in product design. We bring functionality, sensitivity, serenity, balance and subtlety to every project, that we conceive and develop from beginning to end.**





Arpa Sofa 1 St



Arpa Sofa 2 St



Arpa Sofa 3 St



Arpa Sofa 3 St





Arpa Daybed







Arpa Club





Arpa Dining Armchair



Arpa Dining Armchair



Arpa Dining Table 200



Arpa Dining Table 260



Arpa Dining Table 320





Arpa Rectangular Coffee Table Low 120x90



Arpa Rectangular Coffee Table High 120x60



Arpa Round Coffee Table High D90

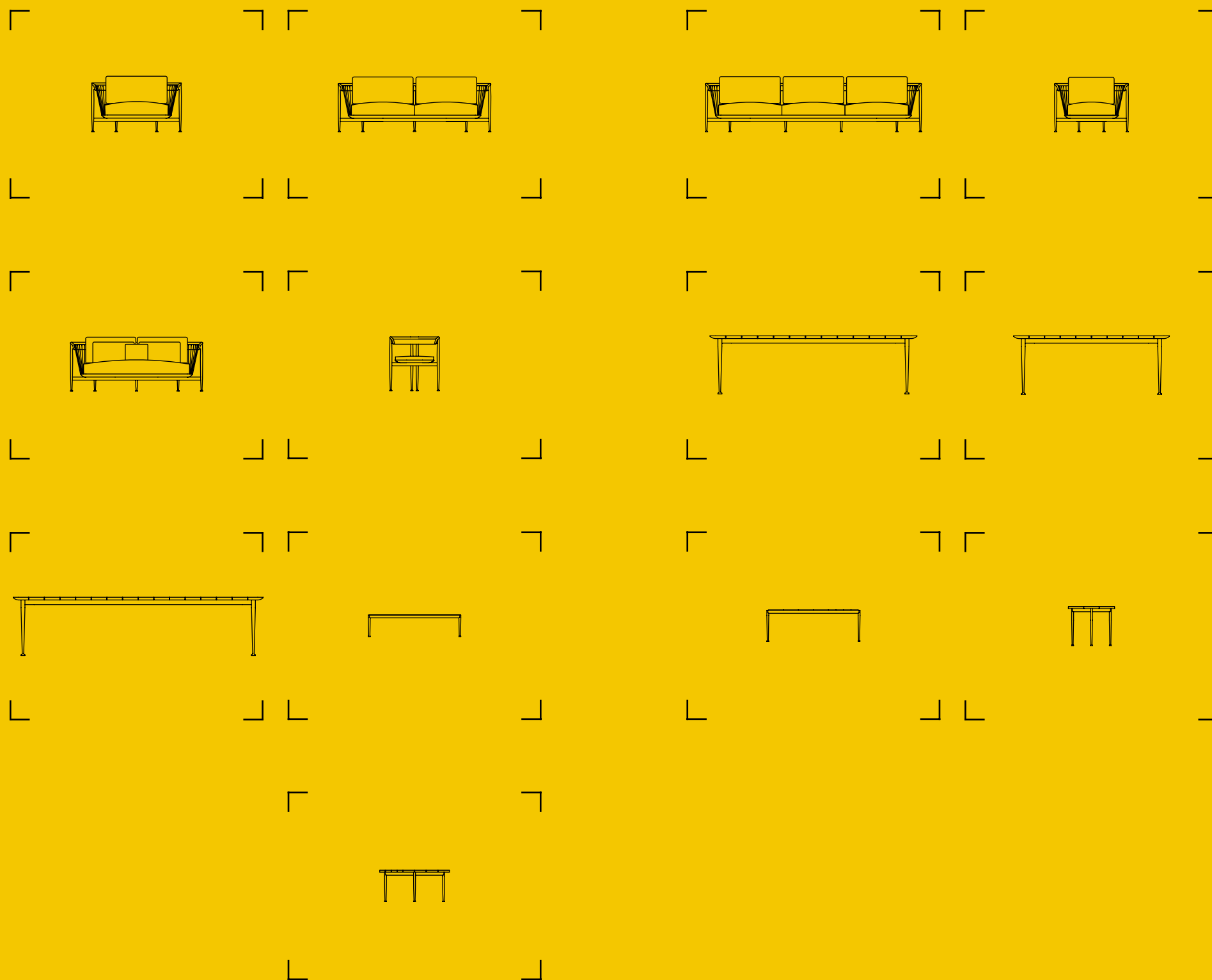


Arpa Round Coffee Table Low D90



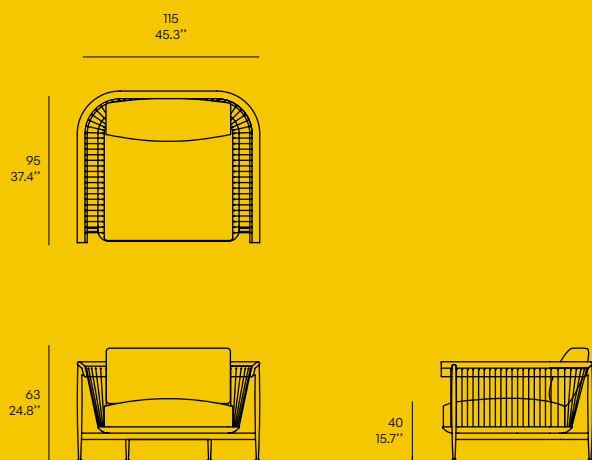
# Technical

# Guide

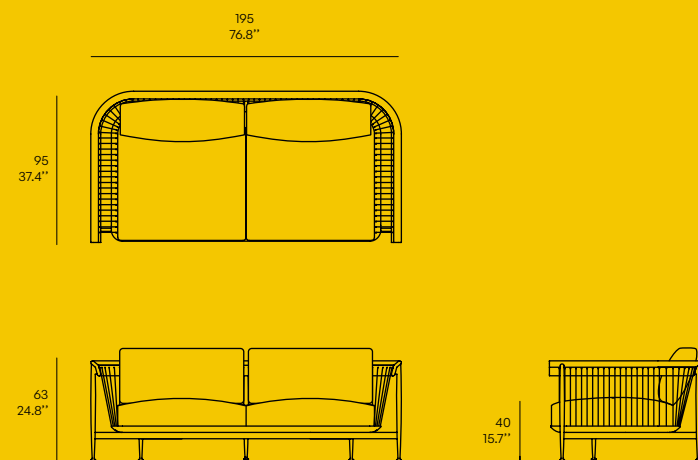




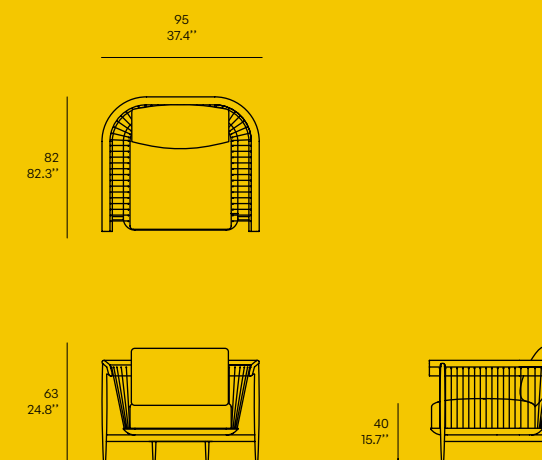
[OTAARP01] ARPA SOFA 1 ST



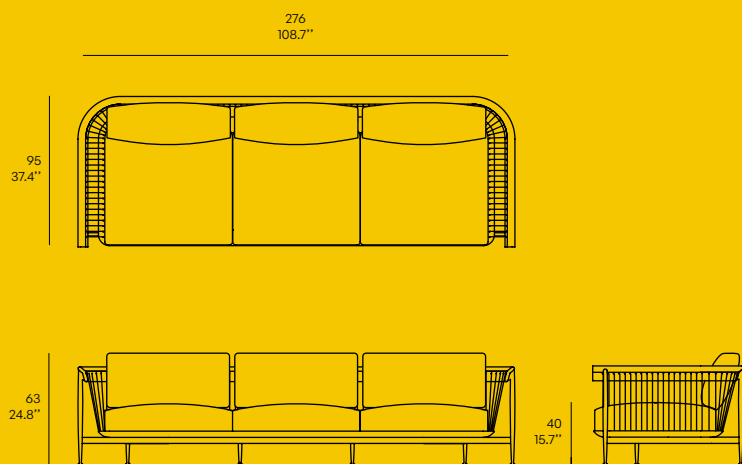
[OTAARP02] ARPA SOFA 2 ST



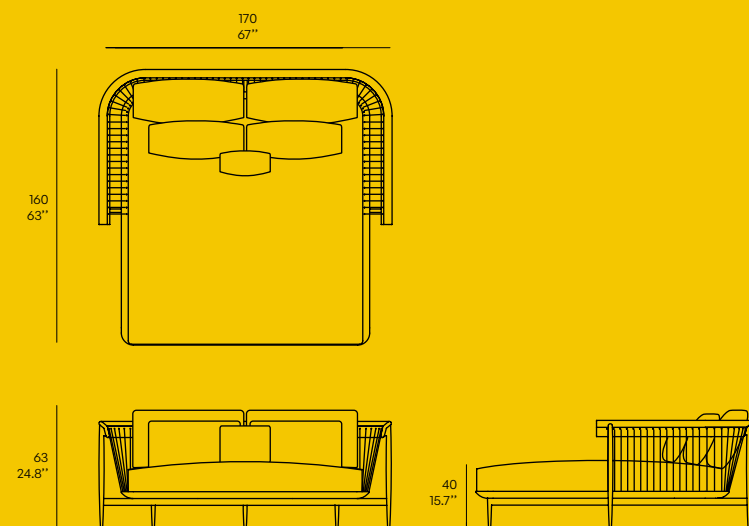
[OTAARP05] ARPA CLUB



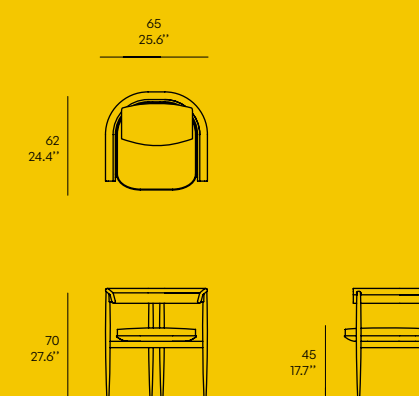
[OTAARP03] ARPA SOFA 3 ST



[OTAARP04] ARPA DAYBED



[OTAARP06] ARPA DINING ARMCHAIR



## SOFA AND CHAIR REMARKS

**Structure:** Aluminium Powdercoated Textured and solid teak wood FSC 100%.

**Seat:** Base in Aluminum Powdercoated and Textiline Fabric.

**Rope:** Polypropylene UV protected.

**Legs:** Aluminum powdercoated textured.

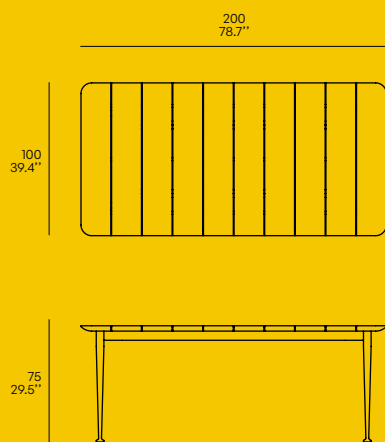
**Fittings:** Stainless steel 304.

**Glides:** PA rubber.

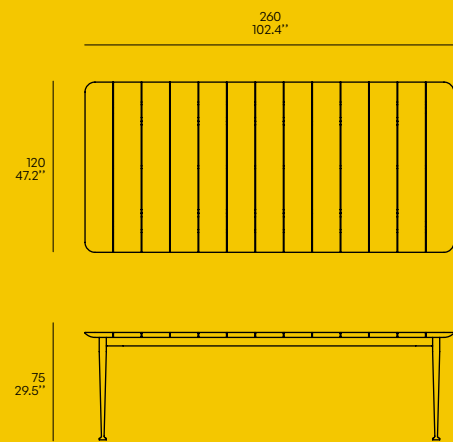
**Cushions:** High density foam, antibacterial & fire retardant, California standard USA, synthetic dacron sheet, protection nylon cover SPC, zipper head and restyling nylon yarn (quick dry foam as optional).

**Packaging:** Carton box double wall K275, plastic free.

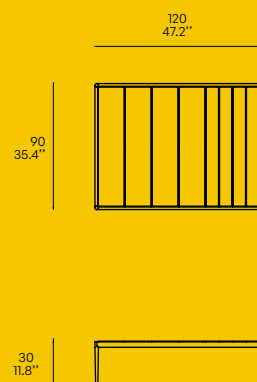
[OTAARP07] ARPA DINING TABLE 200



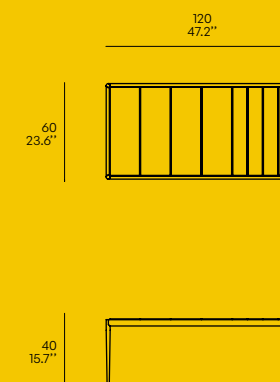
[OTAARP08] ARPA DINING TABLE 260



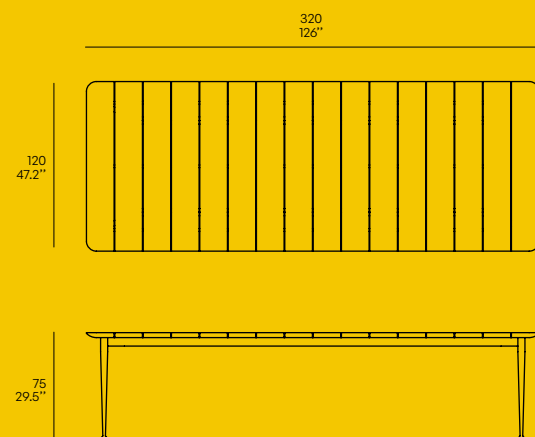
[OTAARP10] ARPA RECTANGULAR COFFEE TABLE LOW 120x90



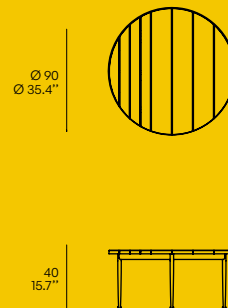
[OTAARP11] ARPA RECTANGULAR COFFEE TABLE HIGH 120x60



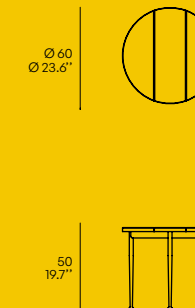
[OTAARP09] ARPA DINING TABLE 320



[OTAARP12] ARPA ROUND COFFEE TABLE LOW D90



[OTAARP13] ARPA ROUND COFFEE TABLE HIGH D60



## TABLE REMARKS

**Table top:** Solid teak wood FSC 100% or Porcelanic surface.

**Substructure:** Aluminum powdercoated textured.

**Fittings:** Stainless steel 304.

**Glides:** PA rubber.

**Packaging:** Carton box double wall K275, plastic free.

Lena combines ration and emotion in a delicate balance, seeking a high-end aesthetic through the warm spirit of solid teak and fabrics.

┌  
└  
35°08'54.9"N  
4°22'00.1"W  
└  
┌

**LENA**

COLLECTION

# Made Studio

DESIGNERS



Made Studio

## ABOUT

**Made Studio combines industrial design and architecture, with professional profiles that unite their skills to offer results with panoramic vision. With a professional career spanning more than 10 years, they have won numerous international awards, such as the Red Dot Design Award and the Delta Awards, and actively participate in exhibitions and publications around the world.**





Lena Sofa 2 St



Lena Sofa 3 St





Lena Club



Lena High Club



Lena Deckchair







Lena Dining Table 220



Lena Dining Table 280





Lena Dining Armchair



Lena Round Dining Table D80



Lena Square High Bar Table 90-90



Lena Round High Bar Table D80



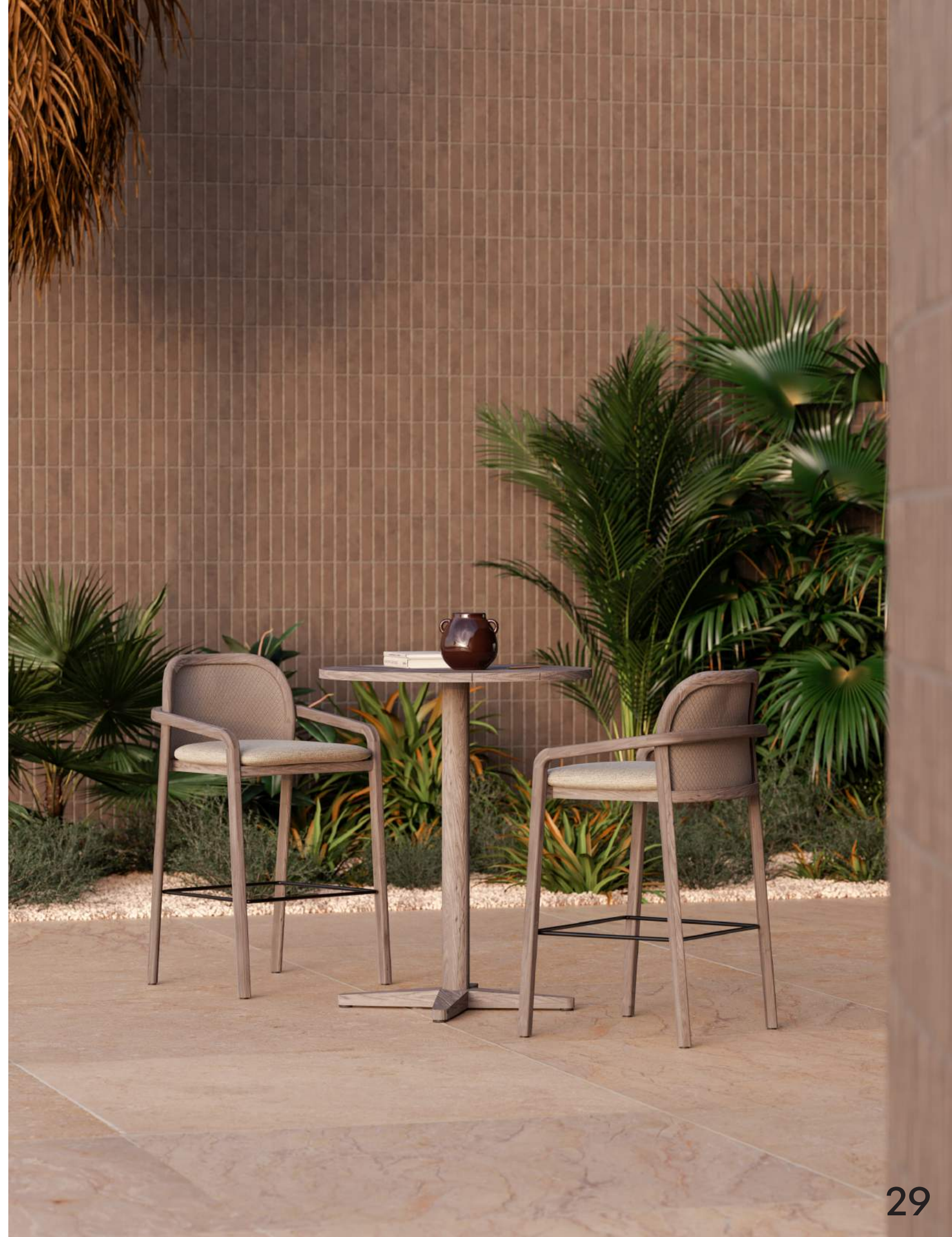
Lena Square Dining Table 90-90



Lena Rectangular Dining Table 90-70



Lena Barstool





Lena Rectangular Coffee Table 160

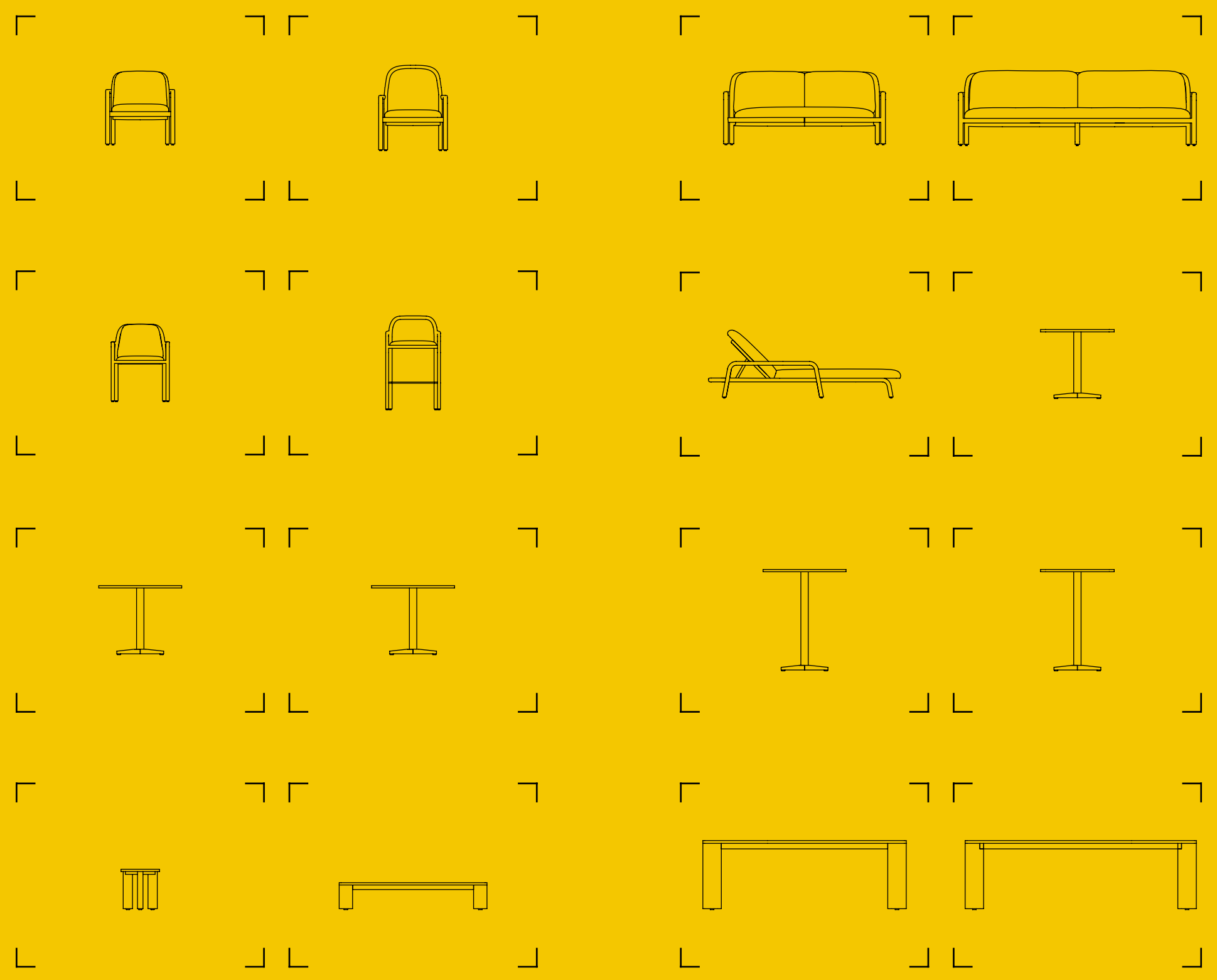


Lena Round Side Table D42

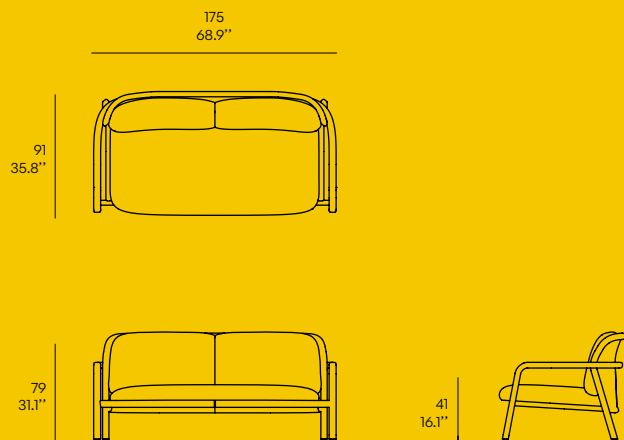


# Technical

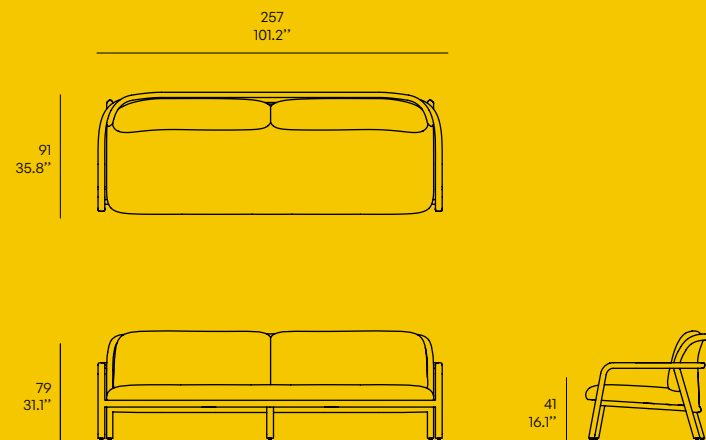
# Guide



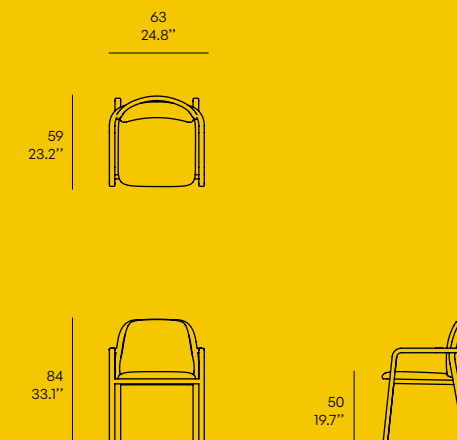
[OTALEN02] LENA SOFA 2ST



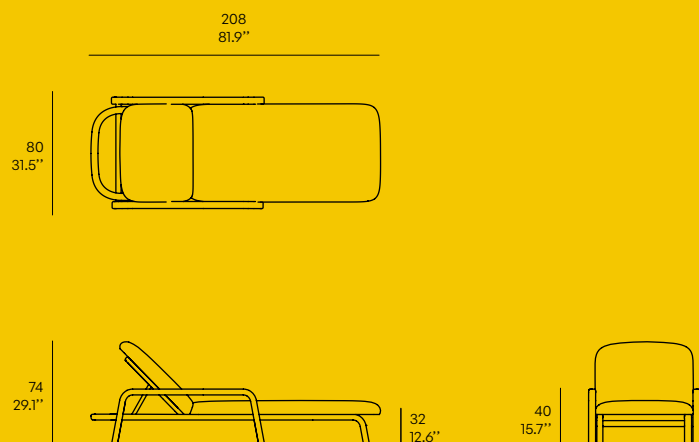
[OTALEN03] LENA SOFA 3ST



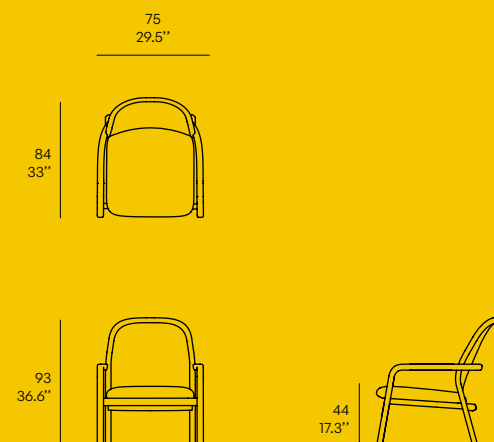
[OTALEN07] LENA DINING ARMCHAIR



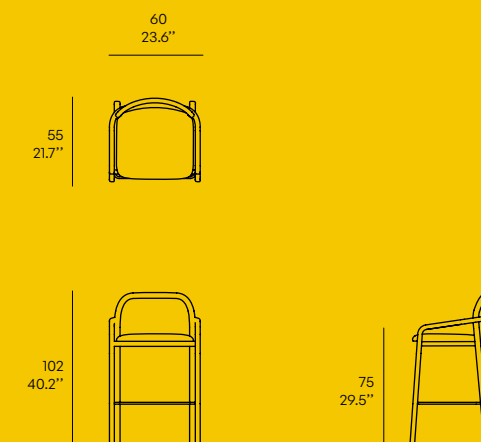
[OTALEN04] LENA DECKCHAIR



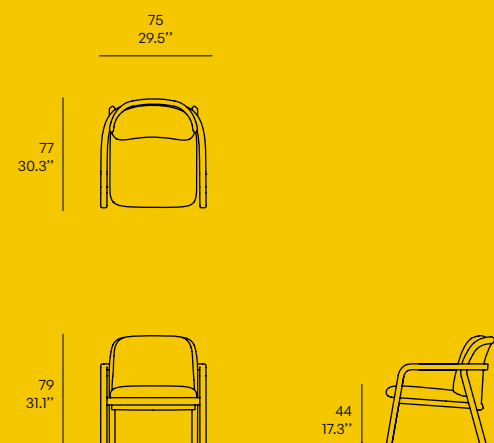
[OTALEN05] LENA HIGH CLUB



[OTALEN08] LENA BARSTOOL



[OTALEN06] LENA CLUB

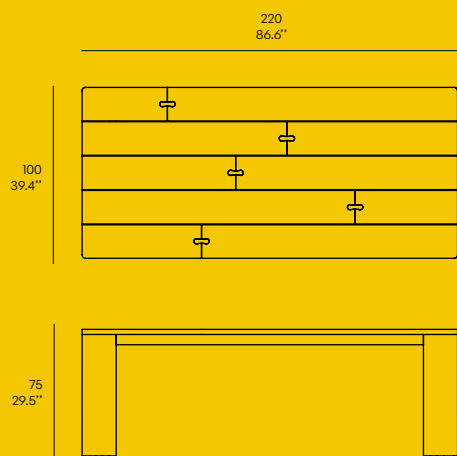


## SOFA AND CHAIR REMARKS

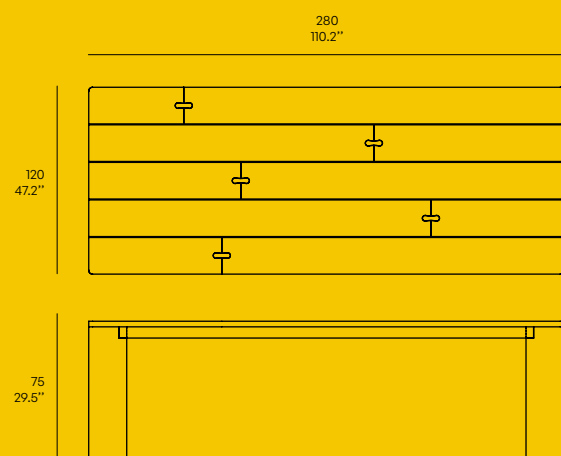
- Structure:** Solid teak wood FSC100%.
- Seat:** Base in Aluminum Powdercoated and Textiline Fabric.
- Rope:** Polypropylene UV protected.
- Fittings:** Stainless steel 304.
- Glides:** PA rubber.
- Cushions:** High density foam, antibacterial & fire retardant, California standard USA, synthetic dacron sheet, protection nylon cover SPC, zipper head and restyling nylon yarn (quick dry foam as optional).
- Packaging:** Carton box double wall K275, plastic free.



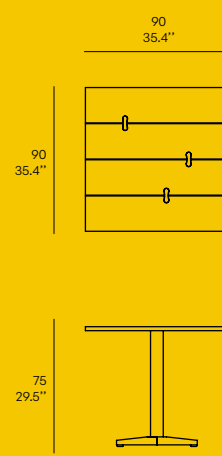
[OTALEN10] LENA DINING TABLE 220



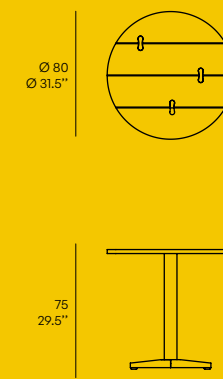
[OTALEN12] LENA DINING TABLE 280



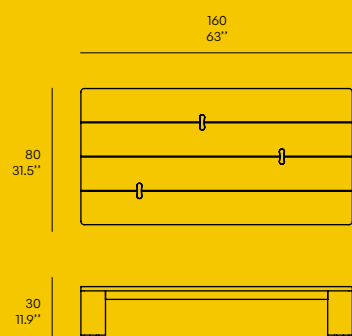
[OTALEN21] LENA SQUARE DINING TABLE 90-90



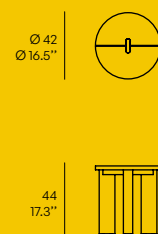
[OTALEN22] LENA ROUND DINING TABLE D80



[OTALEN14] LENA RECTANGULAR COFFEE TABLE 160



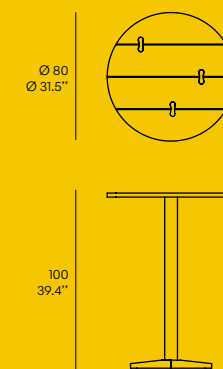
[OTALEN15] LENA ROUND SIDE TABLE D42



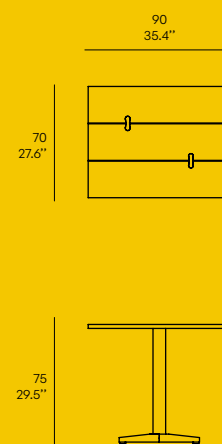
[OTALEN23] LENA SQUARE HIGH BAR TABLE 90-90



[OTALEN24] LENA ROUND HIGH BAR TABLE D80



[OTALEN25] LENA RECTANGULAR DINING TABLE 90-70



## TABLE REMARKS

- Structure:** Solid teak wood FSC100%.
- Fittings:** Stainless steel 304.
- Glides:** PA rubber.
- Packaging:** Carton box double wall K275, plastic free.

Jasmine collection is an organic concert of different components which can be flexibly combined into comfortable and original islands of relax.

┌ 42°09'55.8"N ┐  
└ 18°59'40.4"E ┘

# JASMINE

COLLECTION

# Pensi Design Studio

## DESIGNERS



Pensi Design Studio

## ABOUT

The studio was founded in Barcelona in 1984 with a team focused on timeless design. They constantly seek a balance between poetry and realism, material and space, abstraction and emotion. The aim is to create as many sensations as possible with few resources, challenging the usual logic to see if it is possible to create something new. The outcome is not always predetermined. The best is yet to come.





Jasmine Sofa Corner



Jasmine Sofa Corner



Jasmine Club



Jasmine Sofa Center



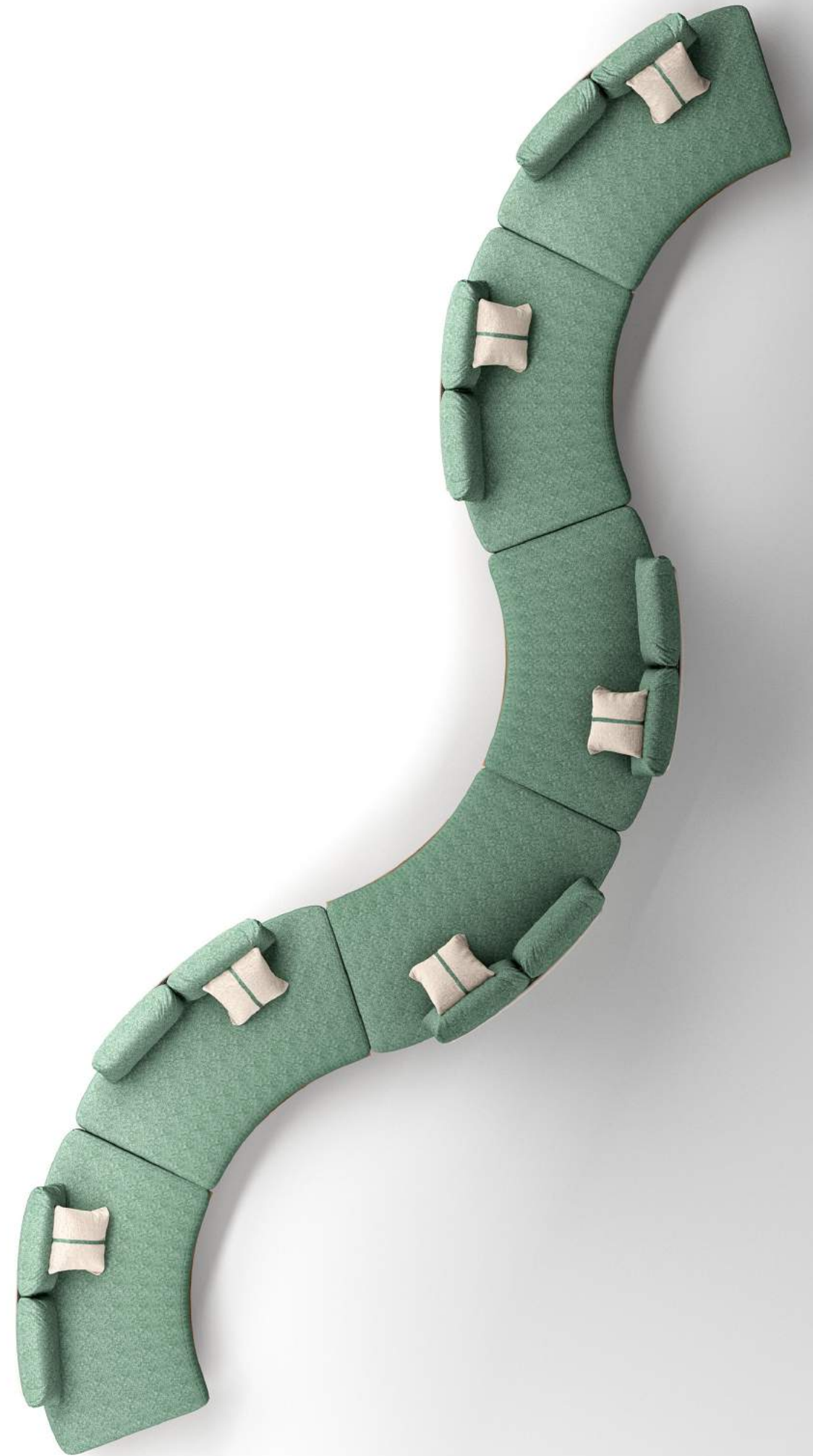
Jasmine Sofa 2 St Right

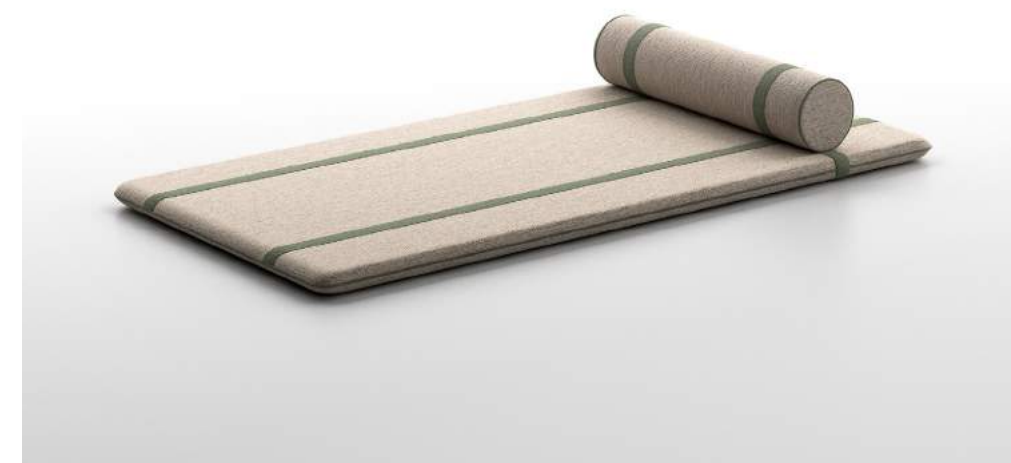


Jasmine Sofa 2 St Left



Jasmine Sofa 2 St Curve





Jasmine Tatami





Jasmine Dining Chair





Jasmine Round Dining Table D150



Jasmine Round Coffee Table D150





Jasmine Coffee Table 90 Porcelain



Jasmine Coffee Table 90 Wood





Jasmine Side Table Sectional Porcelain



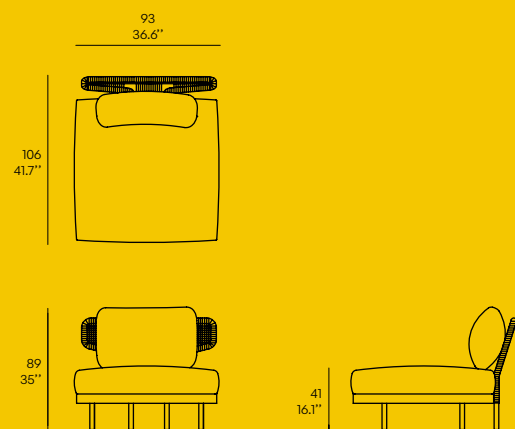
Jasmine Side Table Sectional Wood

# Technical

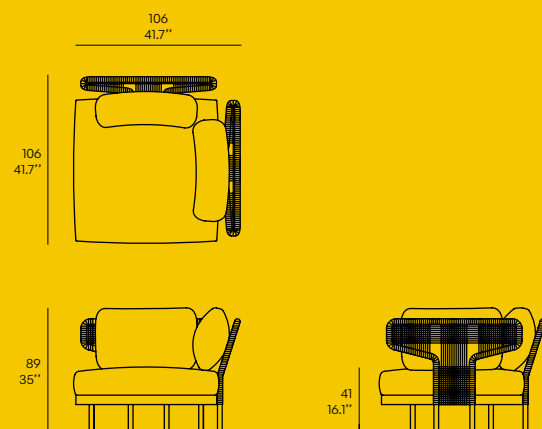
# Guide



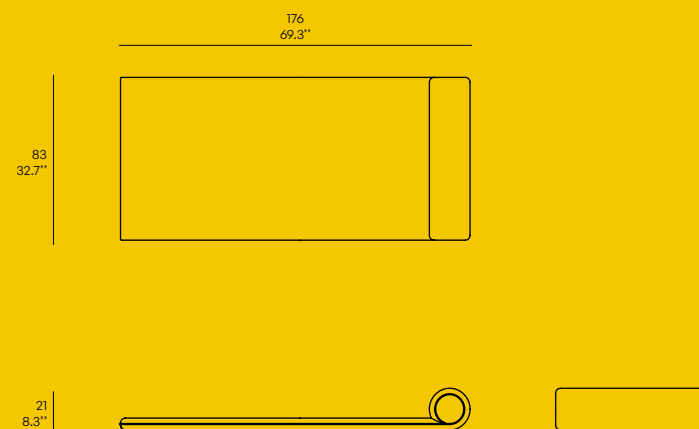
[OTAJAS01] JASMINE SOFA CENTER



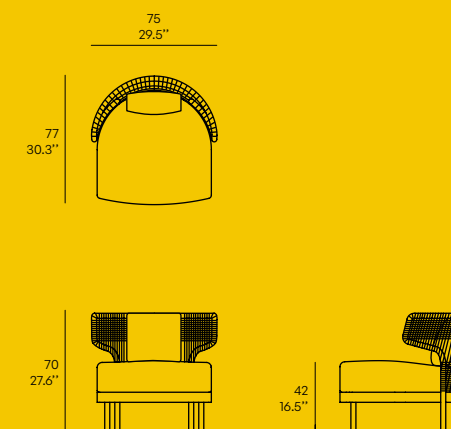
[OTAJAS02] JASMINE SOFA CORNER



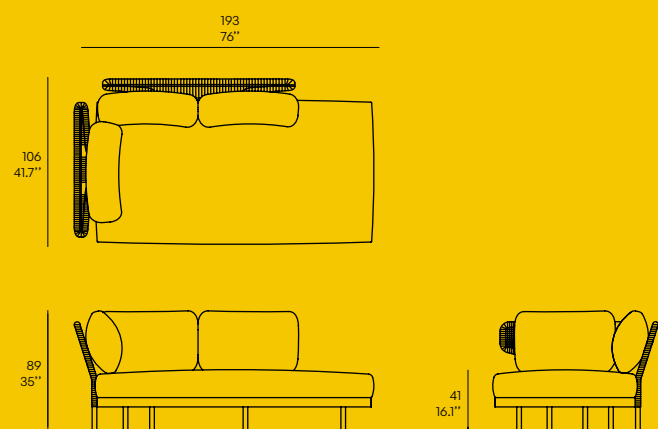
[OTAJAS05] JASMINE TATAMI



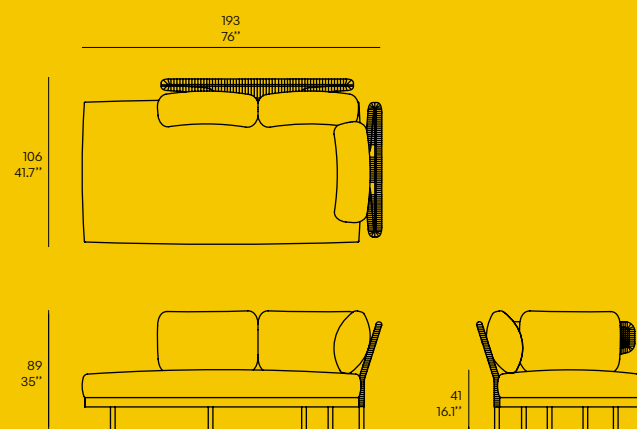
[OTAJAS06] JASMINE CLUB



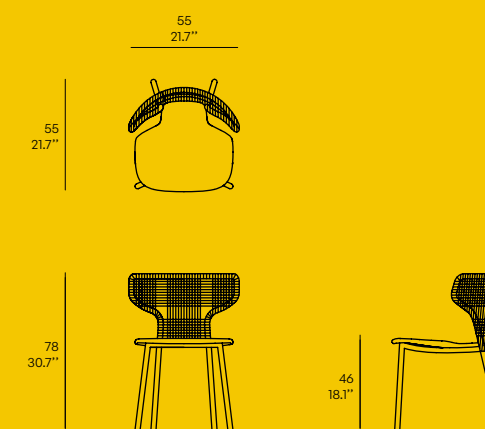
[OTAJAS03R] JASMINE SOFA 2ST RIGHT



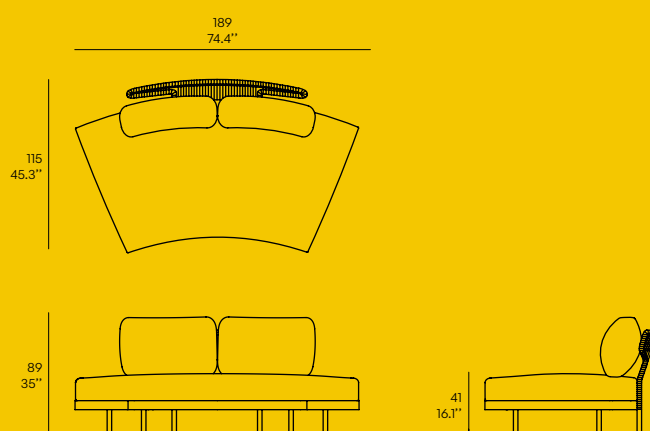
[OTAJAS03L] JASMINE SOFA 2ST LEFT



[OTAJAS07] JASMINE DINING CHAIR



[OTAJAS04] JASMINE SOFA 2ST CURVE



## SOFA AND CHAIR REMARKS

**Structure:** Aluminum powder coated and Solid teak wood FSC 100%.

**Rope:** Polypropylene UV protected.

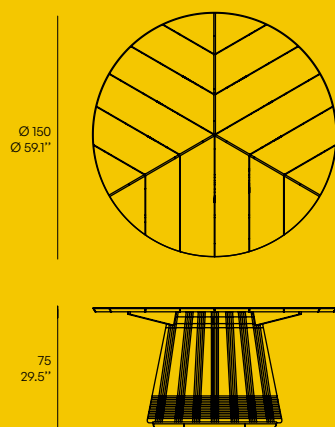
**Fittings:** Stainless steel 304.

**Glides:** PA rubber.

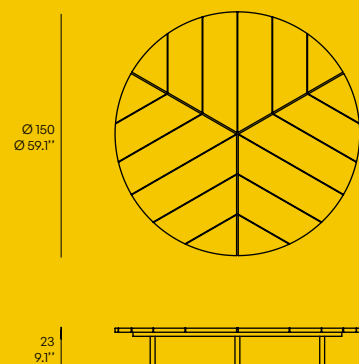
**Cushions and tatami structure:** High density foam, antibacterial & fire retardant, California standard USA, synthetic dacron sheet, protection nylon cover SPC, zipper head and restyling nylon yarn (quick dry foam as optional).

**Packaging:** Carton box double wall K275, plastic free.

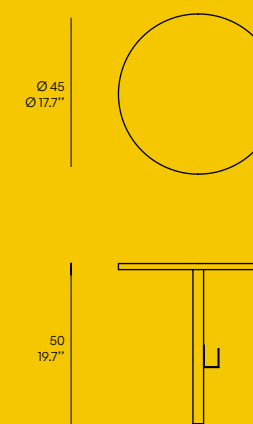
[OTAJAS08] JASMINE ROUND DINING TABLE D150



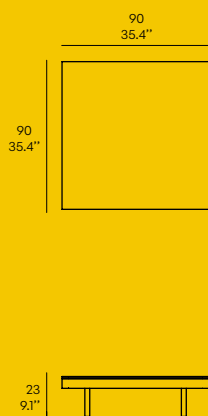
[OTAJAS09] JASMINE ROUND COFFEE TABLE D150



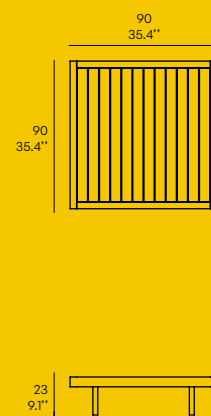
[OTAJAS12P] JASMINE SIDE TABLE SECTIONAL PORCELAIN



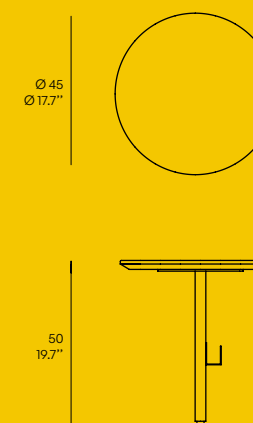
[OTAJAS10P] JASMINE COFFEE TABLE 90 PORCELAIN



[OTAJAS10T] JASMINE COFFEE TABLE 90 WOOD



[OTAJAS12T] JASMINE SIDE TABLE SECTIONAL WOOD



## TABLE REMARKS

**Table top:** Solid teak wood FSC 100% or Porcelanic surface.

**Structure:** Solid teak wood FSC100%.

**Rope:** Polypropylene UV protected.

**Fittings:** Stainless steel 304.

**Glides:** PA rubber.

**Packaging:** Carton box double wall K275, plastic free.



Outdoor life doesn't need to fit into any grid. Duna is the perfect daybed to enjoy this freedom at 360°. No front, no back. Duna doesn't dictate any posture, but it is made for one precise activity: relax.

┌  
└  
40°04'22.1"N  
23°47'16.9"E  
└  
┌

**D U N A**

COLLECTION

# Jun Yasumoto

DESIGNER



Jun Yasumoto

## ABOUT

Born in 1977 in Tokyo of French and Japanese parents, Jun Yasumoto lives and works in Paris. After graduating from ENSCI-Les Ateliers (Paris) in 2001, Jun Yasumoto established himself as an independent designer and began collaborating with Jasper Morrison Office for Design in 2002, working on the development of numerous furniture, product, lighting and tableware design projects. In tandem, he developed his independent career, working with international clients from Asia, Europe and America.





Duna Daybed Essence



Duna Daybed Backrest





Duna Daybed Backrest Detail



Duna Daybed Backrest Detail





Duna Daybed Canopy





Duna Daybed Shade

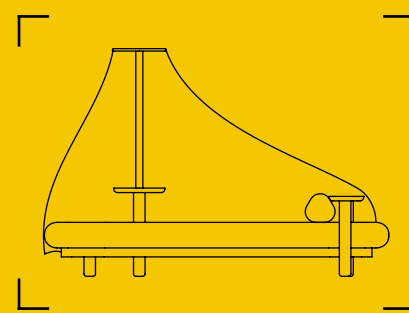
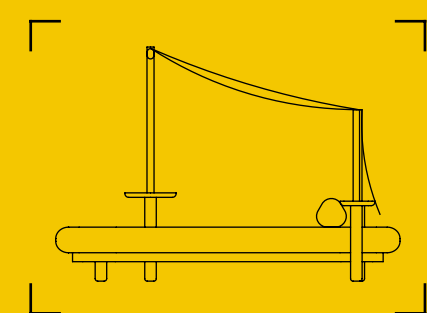
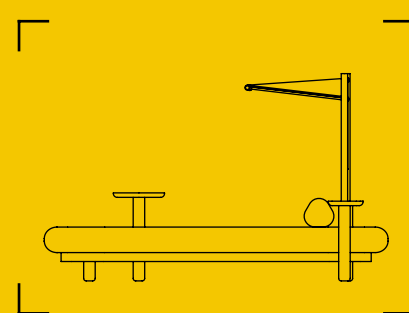
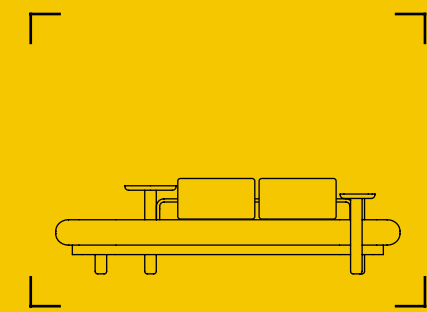
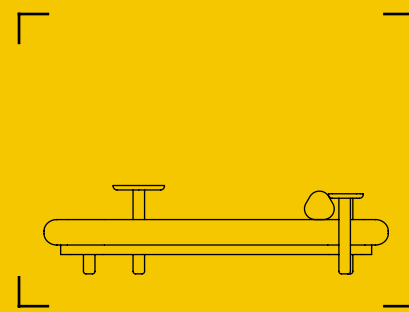




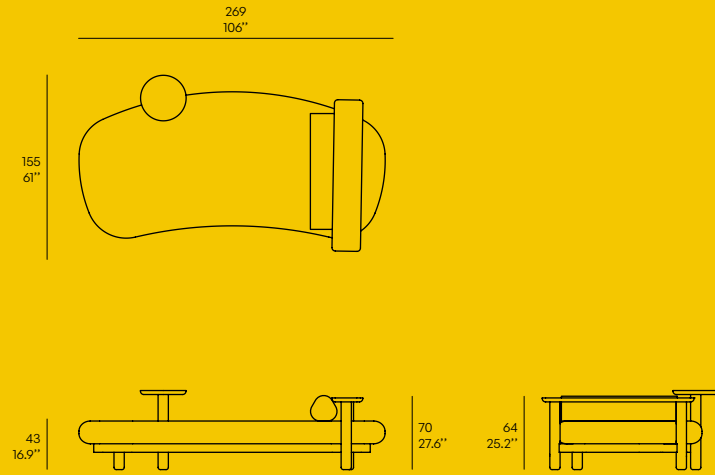
Duna Daybed Tent

# Technical

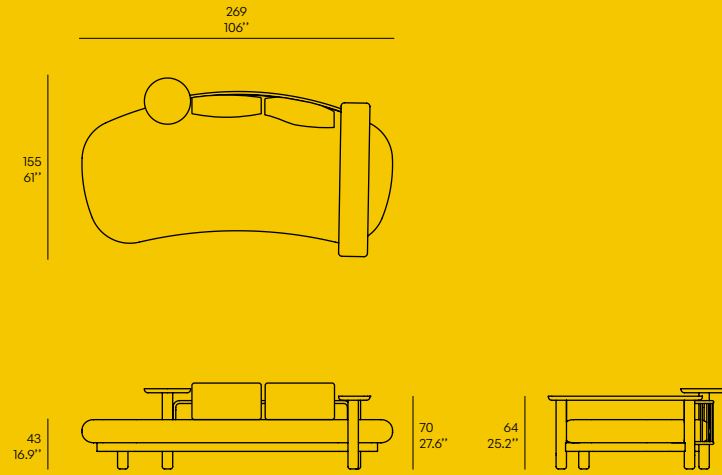
# Guide



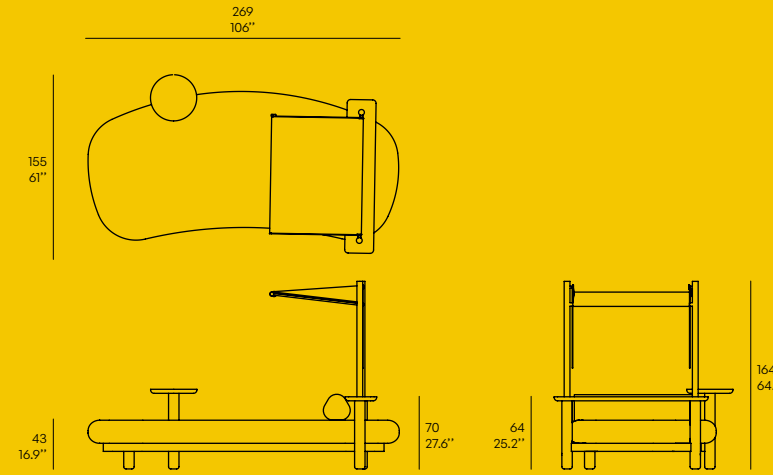
[OTADUN01] **DUNA DAYBED ESSENCE**



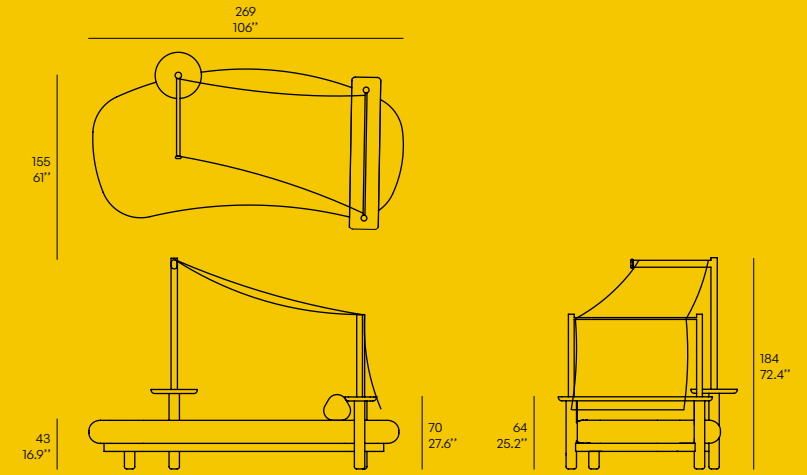
[OTADUN02] **DUNA DAYBED BACKREST**



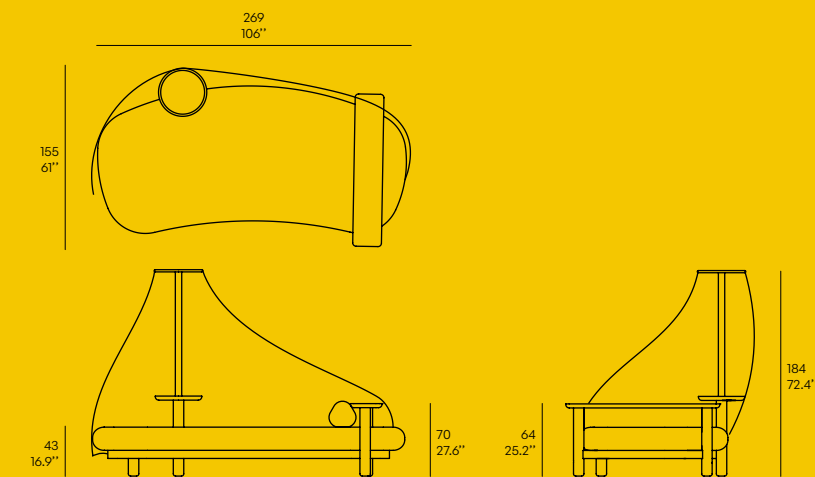
[OTADUN03] **DUNA DAYBED CANOPY**



[OTADUN04] **DUNA DAYBED SHADE**



[OTADUN05] **DUNA DAYBED TENT**



## DAYBED REMARKS

**Structure:** Solid teak wood FSC 100%.

**High accessories:** Aluminum powdercoated textured.

**Rope:** Polypropylene UV protected.

**Fittings:** Stainless steel 304.

**Cushions:** High density foam, antibacterial & fire retardant, California standard USA, synthetic dacron sheet, protection nylon cover SPC, zipper head and restyling nylon yarn (quick dry foam as optional).

**Curtain:** 100% solution dyed acrylic.

**Packaging:** Carton box double wall K275, plastic free.

# Finishes



# Ágora



20249 Eggshell



20250 Birch



20251 Corn



20252 Icecream



20253 Salvia



20254 Storm

## WIND [ONLY FOR DUNA COLLECTION]



1375 Wind White

**(agora)**

Composition: 100% Solution Dyed Acrylic

- Water Resistant
- Stain Resistant
- Mold Resistant
- UV Protect
- UV Resistant
- Durable Strong
- No Conductor
- Easy To Clean

# Ego

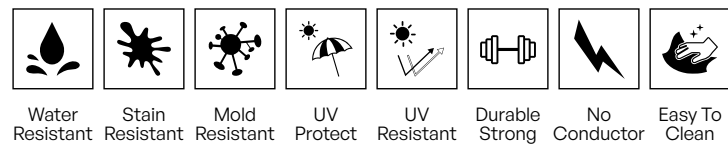


# Ágora



**(agora)**

Composition: 100% Solution Dyed Acrylic



# Panamá



# Sunproof

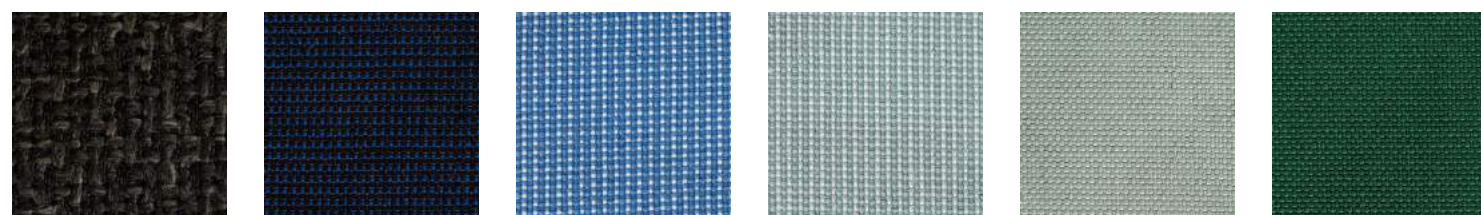
# Premium



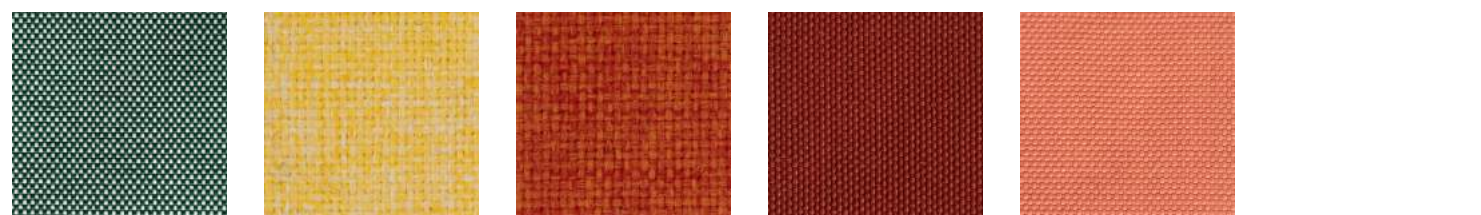
Gracebay 133 Woolacombe 140 La Concha 160 Woolacombe 160 Fontelina 180 Fontelina 163



Praia 130 Wifera 160 Wifera 162 La Concha 182 Calasaona 091 Gracebay 161



Woolacombe 090 Wifera 121 Wifera 041 Wifera 042 Cartenza 220 Cartenza 230



Cartenza 230 #NK Gracebay 050 Gracebay 101 Cartenza 031 Cartenza 195

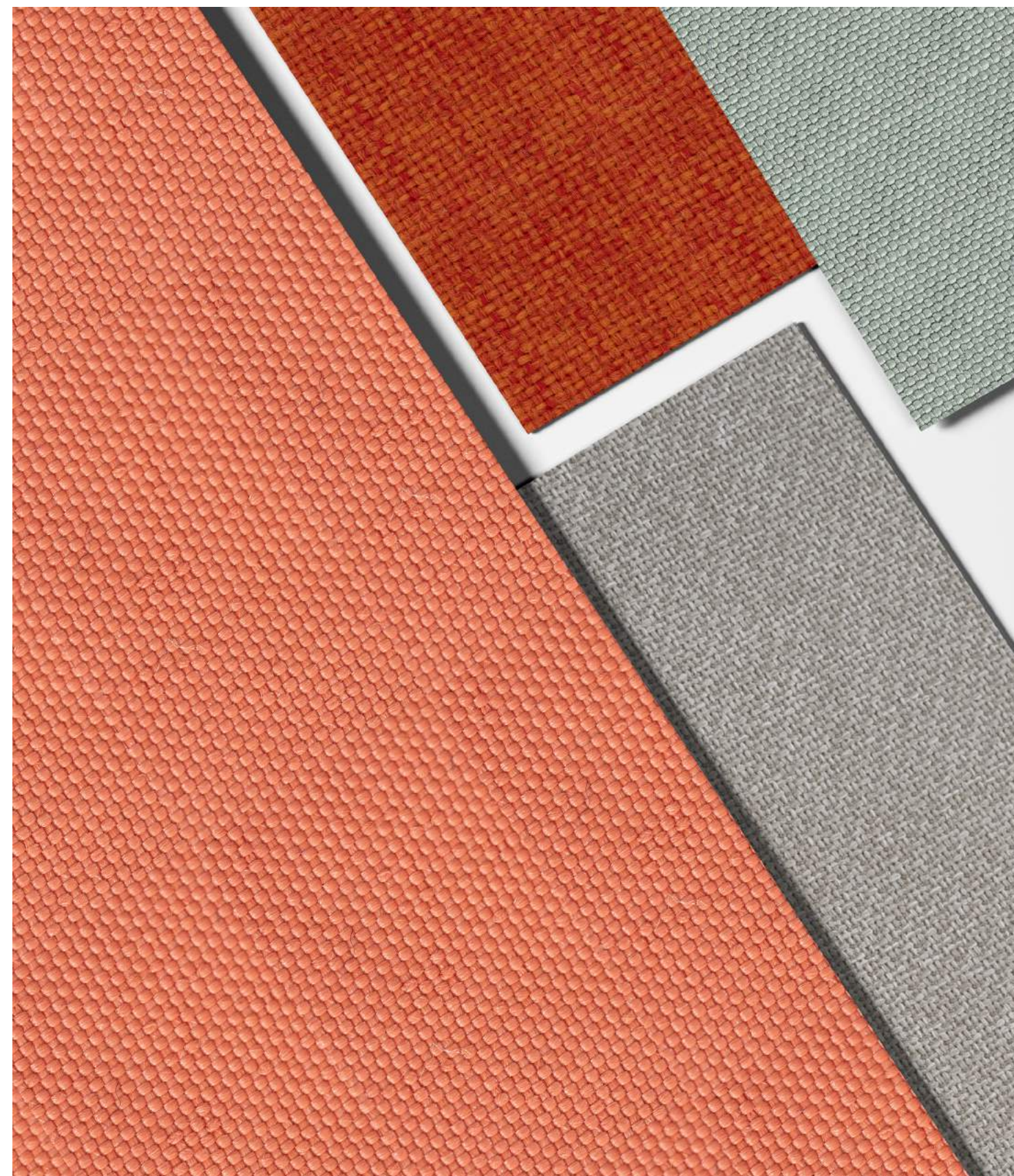
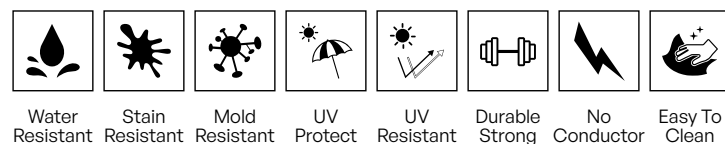
## TEXTILINE [ONLY FOR DUNA COLLECTION]



Sling Ostend 163



Composition: 100% Olefin





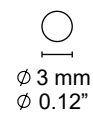
# Rope

## ROUND ROPE

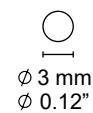
[ONLY FOR ARPA, JASMINE AND DUNA COLLECTION]



Alma Round Rope  
MK R13



Alma Round Rope  
MK R15



## WICKERED ROPE

[ONLY FOR LENA COLLECTION]



Alma Wickered Rope  
PR 36



# Wood



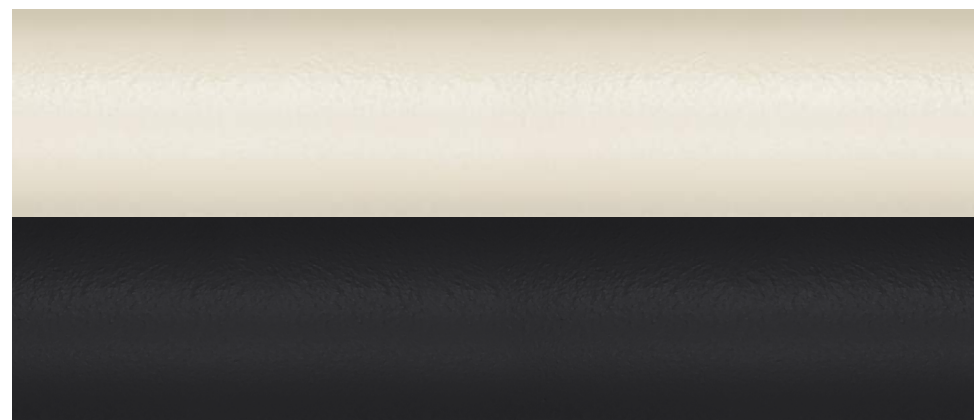
Natural Teak

Protected Teak

Weathered Teak

Blacked Teak

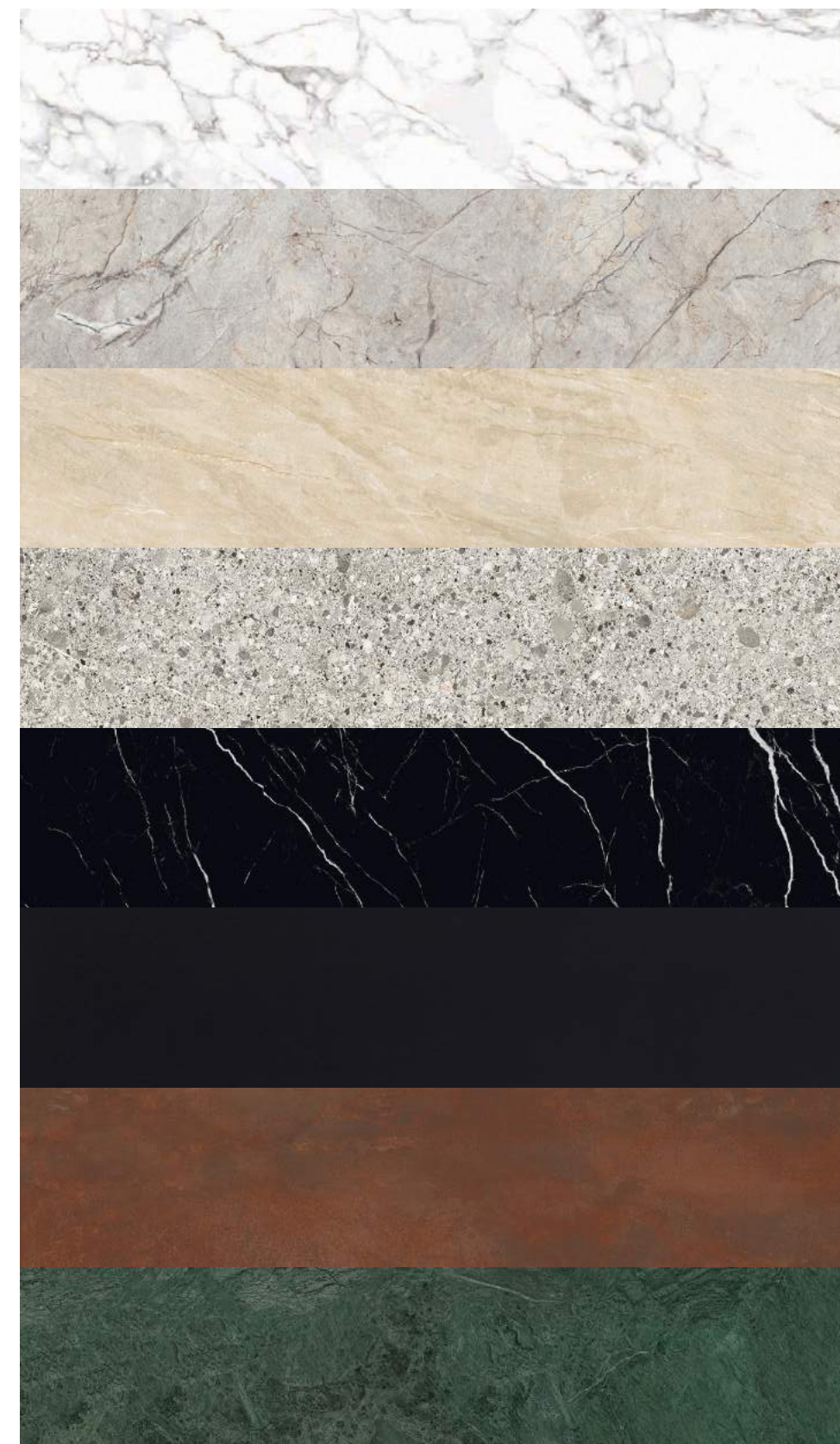
# Aluminum



Beige Junction  
(RAL 1013)

Grey Anthracite  
(RAL 7016)

# Porcelain



Quadra Arabescato  
Bianco

Quadra Salika  
Grigio

Quadra Daino  
Naturale

Quadra Ceppo  
Grigio

Quadra Marquina  
Nero

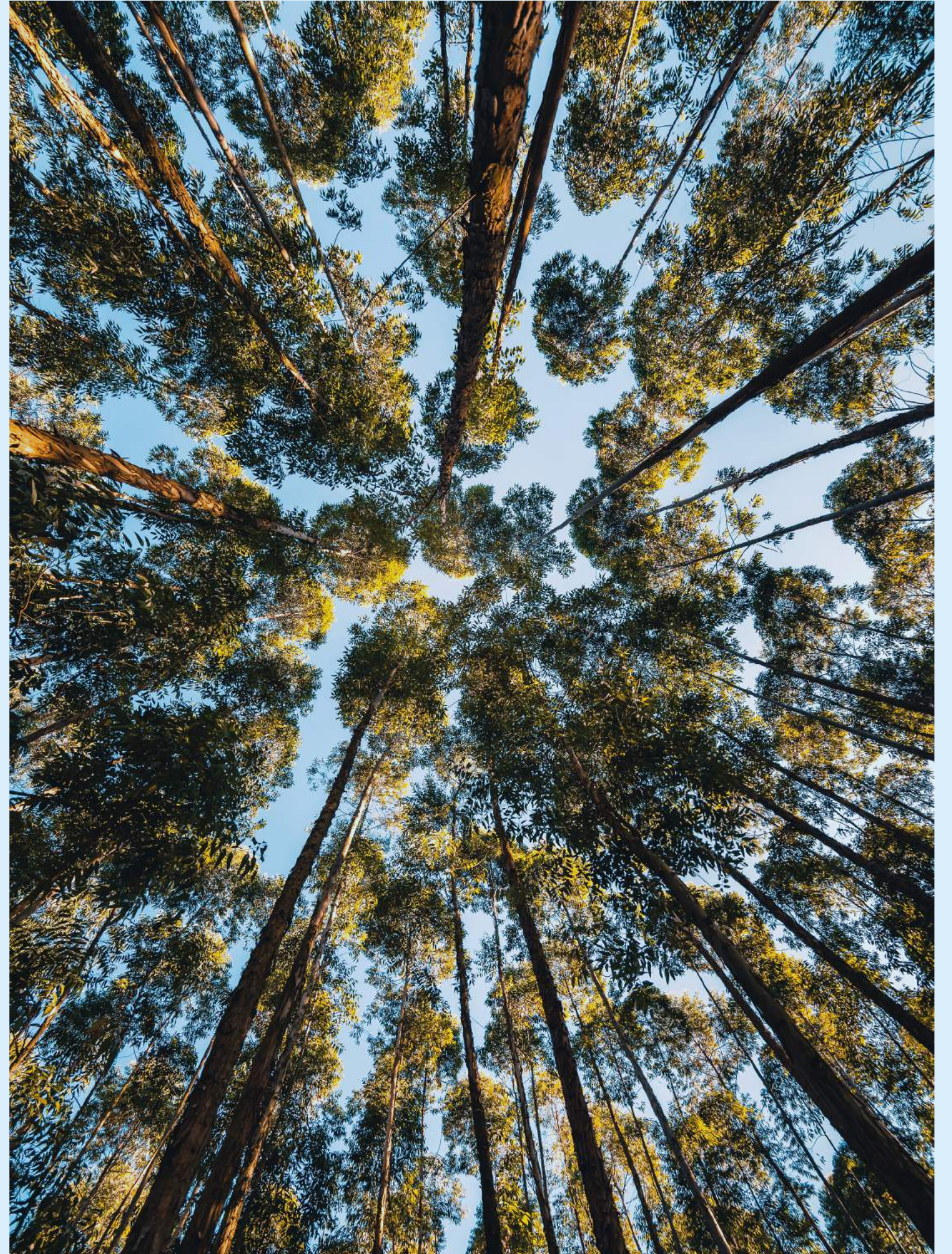
Quadra Nebula  
Nero

Quadra Bronzo  
Bruno

Quadra Hutan  
Ubud Matte

# WOOD ORIGIN

As well as being important for the environment, wood is renowned in the furniture industry for its quality and durability. To create a sustainable production cycle, we have selected wood that comes exclusively from controlled plantations that follow strict reforestation procedures.



**CRANK.**

[crankfurniture.com.au](http://crankfurniture.com.au)